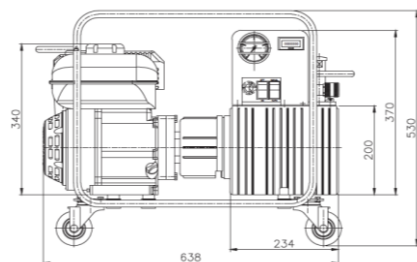
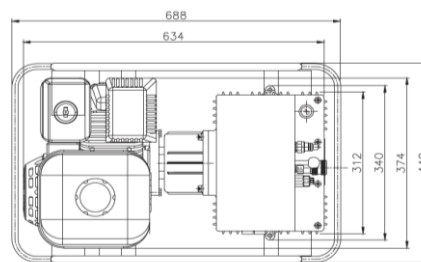
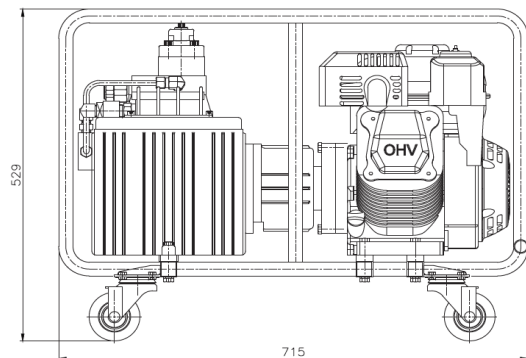
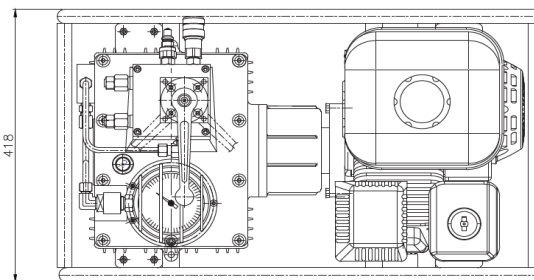
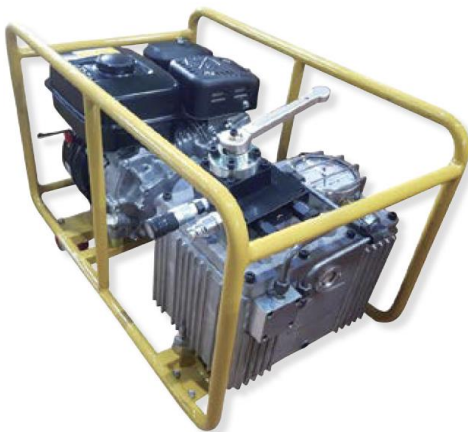
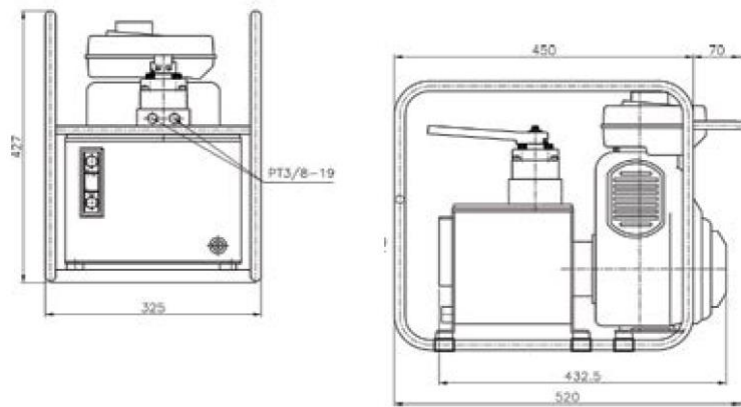


Engine portable pump



Model	Oil capacity	Pressure (bar)		Flow rate		Weight	Type
		High	Low	High	Low		
TEP2-M	8l			1,15	4,3	32kg	Cock

TEP5-M	11l	700	70	1,37	4,3	60kg	Cock
TEP5-2S	11l			1,37	4,3	60kg	Single solenoid