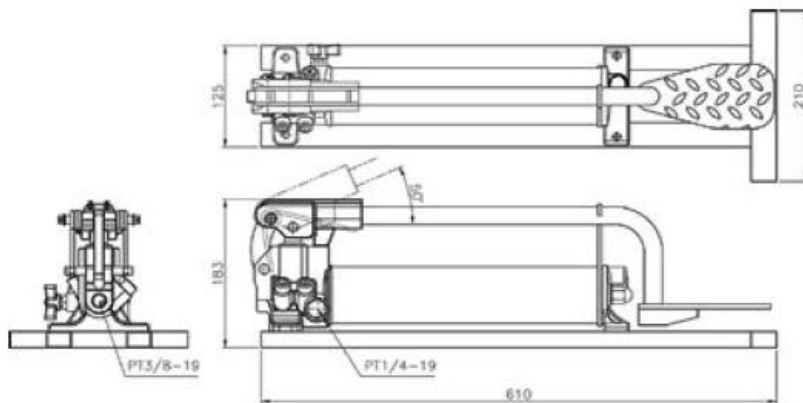


## Foot pump



Model	Oil capacity	Volume per stroke (cc/cycle)		Piston diameter		Piston stroke	Weight	Pressure
		at 700 bar	at 20 bar	High	Low			
ESPF-05	500cc	2,47	20,9	11mm	32mm	26mm	6,7 kg	700 bar