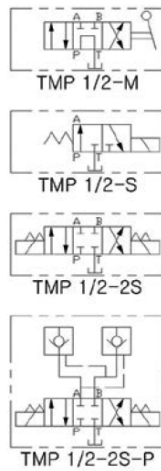
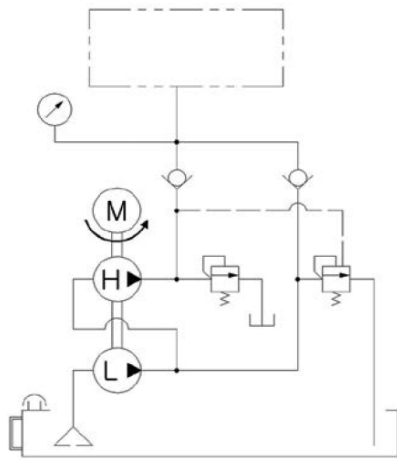
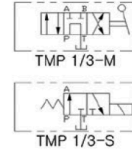
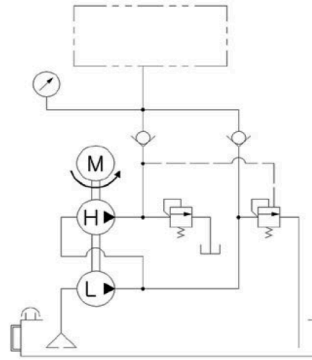


# High capacity portable pump



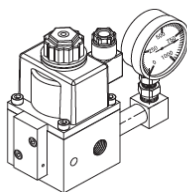
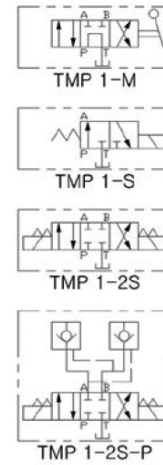
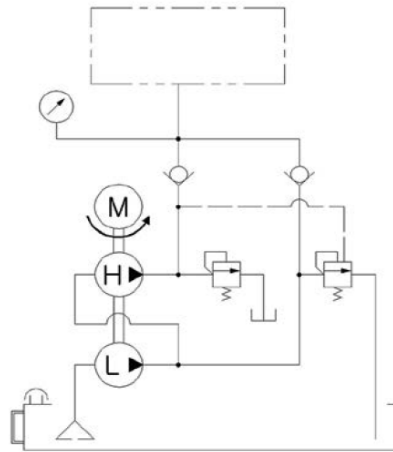
**TMP 1/3-M**



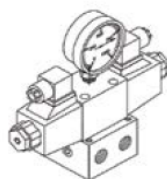
**TMP 1/2-M**



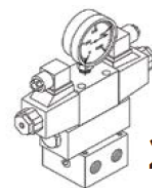
**TMP 1-M**



**S**



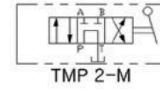
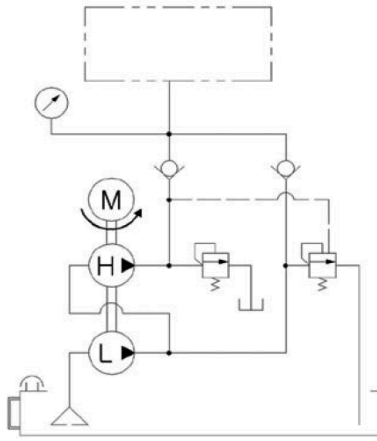
**2S**



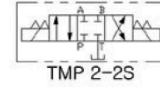
**2S-P**



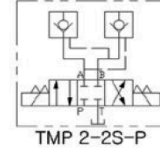
**TMP 2-M**



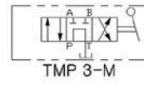
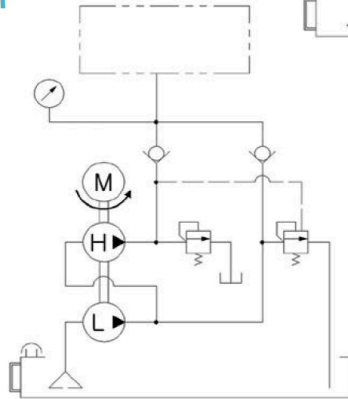
TMP 2-M



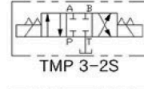
TMP 2-2S



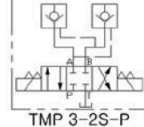
TMP 2-2S-P



TMP 3-M



TMP 3-2S



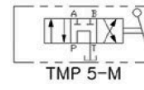
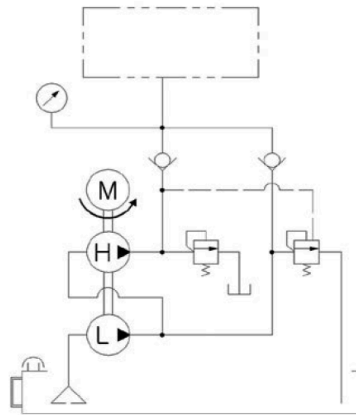
TMP 3-2S-P



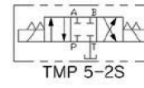
**TMP 3-M**



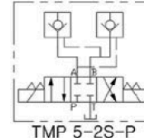
**TMP 5-M**



TMP 5-M



TMP 5-2S



TMP 5-2S-P

Model	Oil capacity	Pressure (bar)		Flow rate (l/min)		Voltage	Electric motor			Type
		High	Low	High	Low		Kw	Pole	RPM	
TMP-1/3-M	3,5l	700	70	0,24	2	220V	0,25	4	1720	Cock
TMP-1/3-S										Solenoid valve
TMP-1/2-M	6	700	70	0,43	2,58	220V	0,4	4	1720	Cock
TMP-1/2-S										Solenoid valve
TMP-1/2-2S										Solenoid valve
TMP-1-M	8,4	700	70	0,86	4,3	220V	0,75	4	1720	Cock
TMP-1-S										Solenoid valve
TMP-1-2S										Solenoid valve
TMP-2-M										Cock
TMP-2-2S	17	700	130	1,59	7,1	220V & 380V 3Phase	1,5	4	1720	Solenoid valve
TMP-3-M	36	700	130	2,12	10,5	220V & 380V 3Phase	2,2	4	1720	Cock
TMP-3-2S										Solenoid valve
TMP-5-M	48	700	130	3,5	15,7	220V & 380V 3Phase	3,7	4	1720	Cock
TMP-5-2S										Solenoid valve