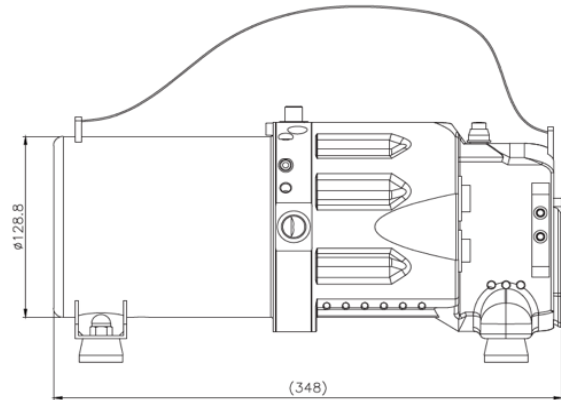
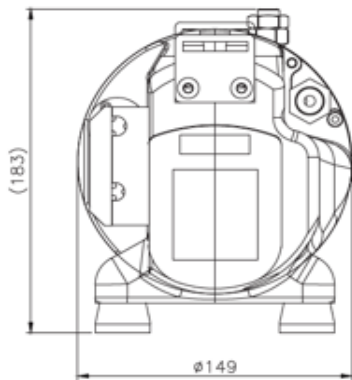
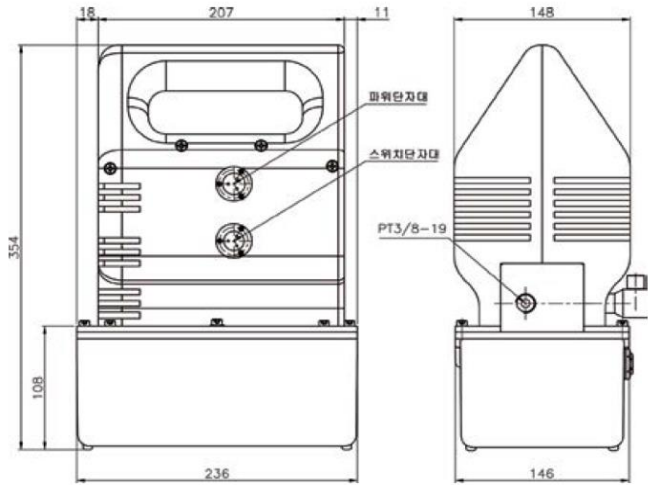


Monophase portable pump



Model	Oil capacity	Pressure (bar)		Flow rate (l/min)		Voltage	Weight	Type
		High	Low	High	Low			
TMPM-1/2-S	2l	700	20	0,3	2,5	AC220V 50/60Hz	8,5kg	Single solenoid
TMPH-1/2-S	1,5l	700	20	0,3	2,5	AC220V 50/60Hz	8,4kg	Single solenoid
TMPH-1/2-C							8,4kg	Cock