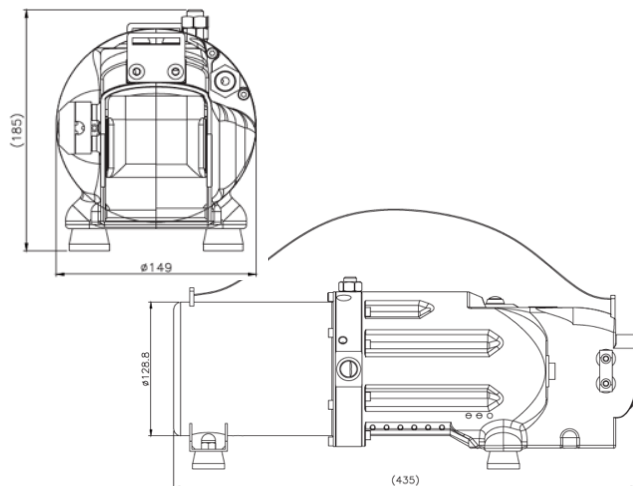
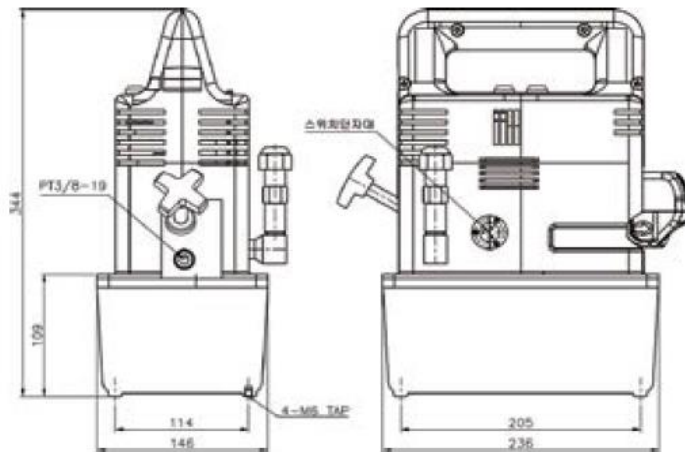
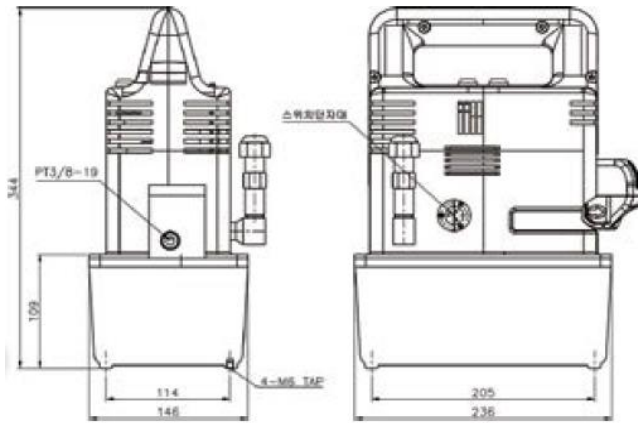


# Portable battery pump



Model	Oil capacity	Pressure (bar)		Flow rate (l/min)		Voltage	Weight	Type
		High	Low	High	Low			
TDPM-1/3-S	2l	700	20	0,2	2	18V 4.0Ah 1EA (Li-ion)	8,6kg	Single solenoid
TDPM-1/3-C							8,4kg	Cock

TDPH-1/3-S	1,5l	700	20	0,2	2	18V 5.0Ah	8,6kg	Single solenoid
TDPH-1/3-C						1EA (Li-ion)	8,4kg	Cock